

FLOOR PLAN

SCALE: 1/4" = 1'-0"

	QTY.	SIZE	DESCRIPTION	LOCK	REMARKS
DOORS DOOR HARDWARE TO HAVE #626 SATIN CHROMIUM PLATED FINISH.	2	3'0" x 6'8"	INSULATED GALV. STEEL w/ WELDED STEEL JAMB AND WEATHERSTRIPPING DEFAULT .60 U-FACTOR	SCHLAGE CYLINDER	S.S. BBR'G NRP HINGES PAINT FINISH LCN 1461 CLOSER VON DUPRIN 22L PANIC
WINDOWS	4	48 x 48	HORIZONTAL SLIDER - DUAL LOW "E" GLAZE ATRIUM- WHITE VINYL FINISH - SOLAR BRONZE TINT NFRC .360 U-FACTOR - SHADING COEFFICIENT .38		

PRELIMINARY
NOT FOR CONSTRUCTION

DATE	REVISION	BY	COPYRIGHT 2009, BLAZER INDUSTRIES, INC. THIS MATERIAL IS THE EXCLUSIVE PROPERTY OF BLAZER INDUSTRIES, INC. AND SHALL NOT BE REPRODUCED, USED, OR DISCLOSED TO OTHERS EXCEPT AS AUTHORIZED BY THE WRITTEN PERMISSION OF BLAZER INDUSTRIES.
------	----------	----	---



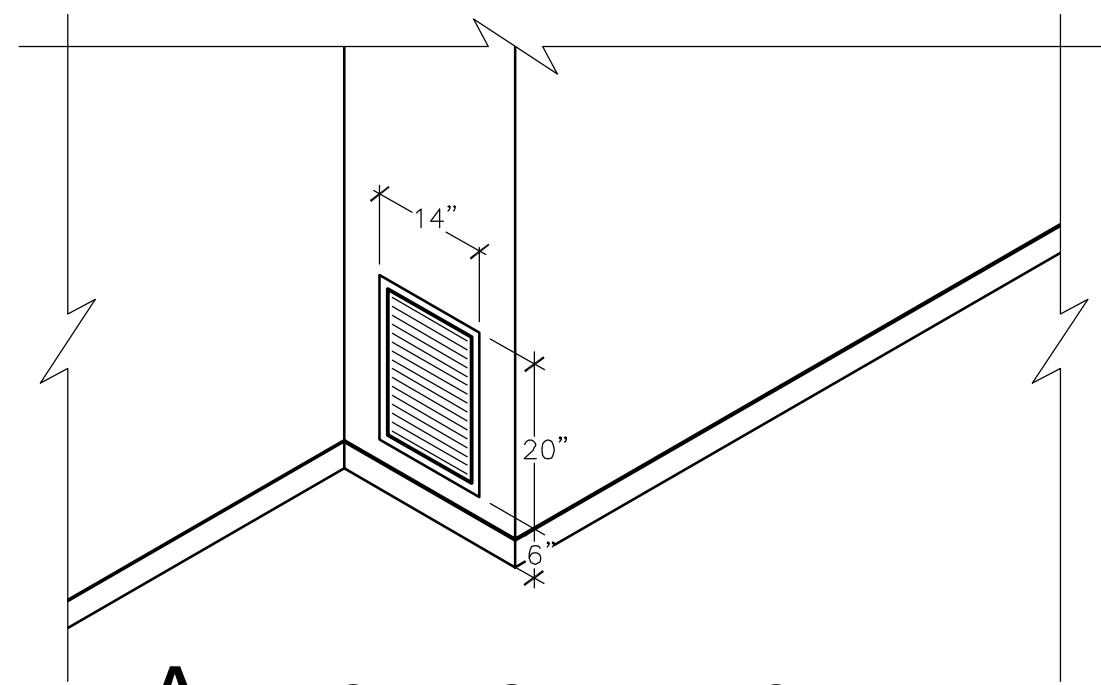
MODULAR
28 x 64
WA GOLD

CLASSROOM for:
LEASE UNIT
EQUIPMENT SUPPLY LLC

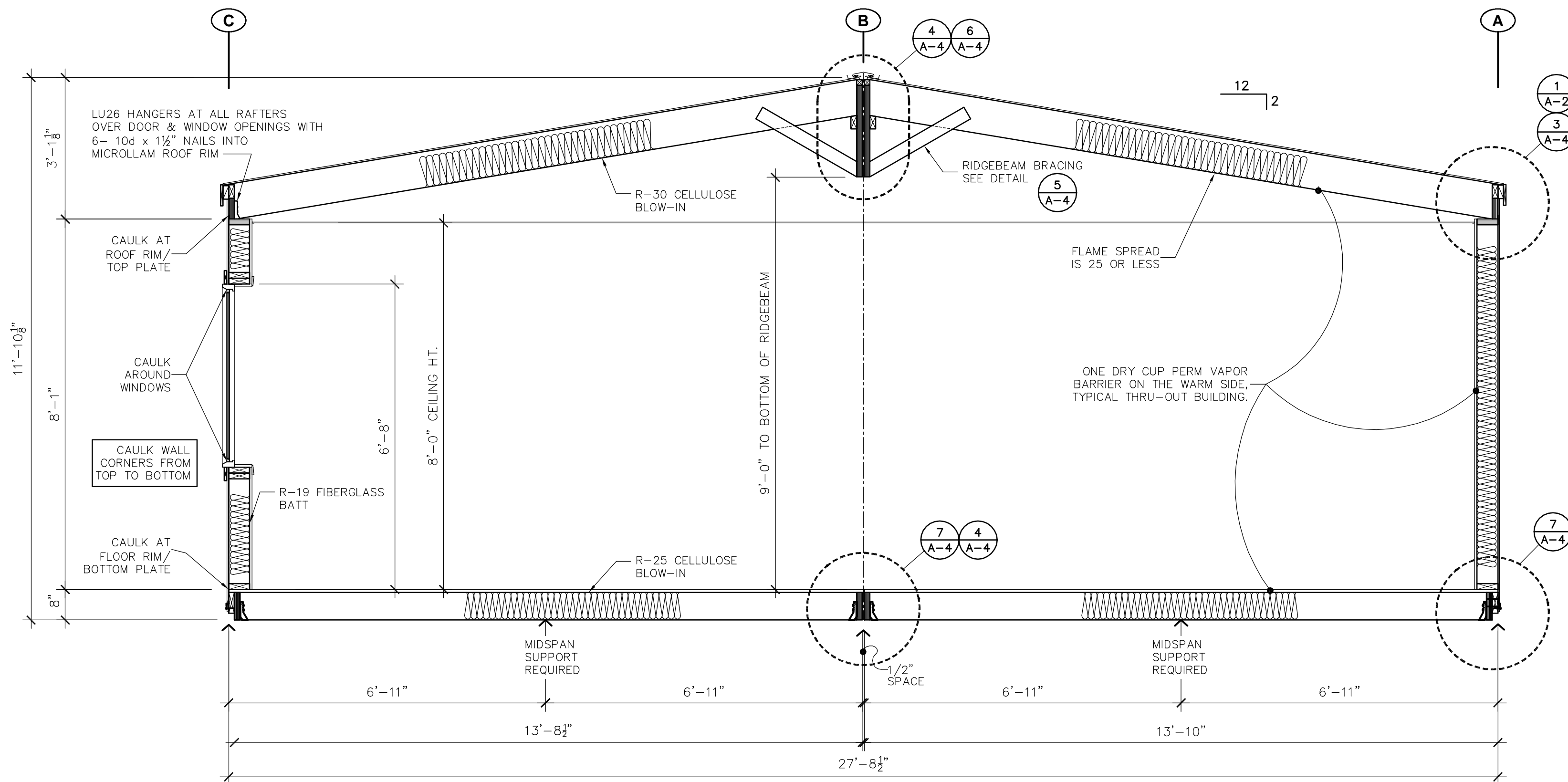
Washington

Approved for Const:
File Copy:
Drawn By: NS
Start Date: 11-21-08

Job No: DB110
A-1



A HVAC R.A.G. ELEVATION
1/2" = 1'-0"



SECTION - A A
SCALE: 1/2" = 1'-0"

PRELIMINARY
NOT FOR CONSTRUCTION

COPYRIGHT 2009, BLAZER INDUSTRIES, INC. THIS MATERIAL IS THE EXCLUSIVE PROPERTY OF BLAZER INDUSTRIES, INC. AND SHALL NOT BE REPRODUCED, USED, OR DISCLOSED TO OTHERS EXCEPT AS AUTHORIZED BY THE WRITTEN PERMISSION OF BLAZER INDUSTRIES.



MODULAR
28 x 64
WA GOLD

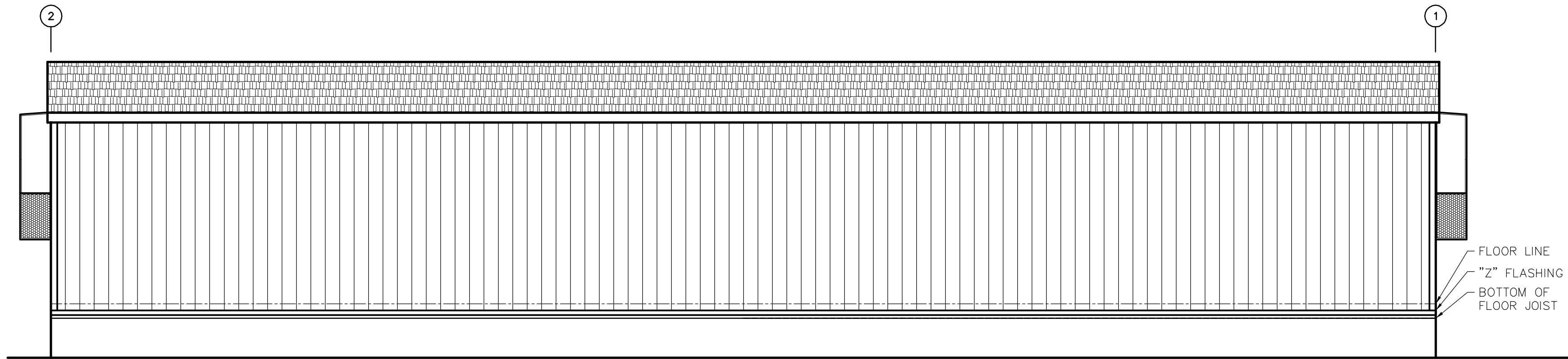
CLASSROOM for:
LEASE UNIT
EQUIPMENT SUPPLY LLC

Approved for Const:
File Copy:
Drawn By: NS
Start Date: 11-21-08

Job No: DB110
A-2

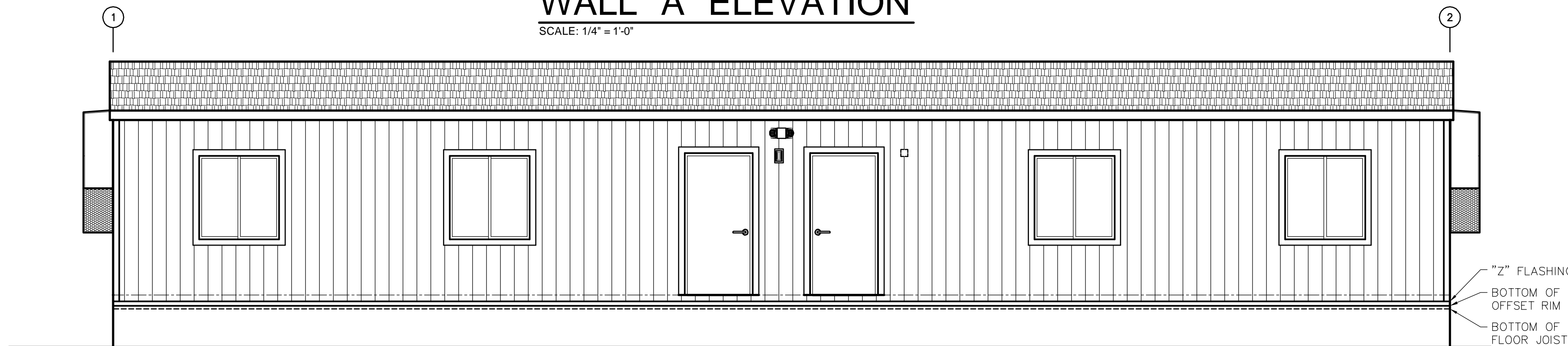
DATE	REVISION	BY

Washington



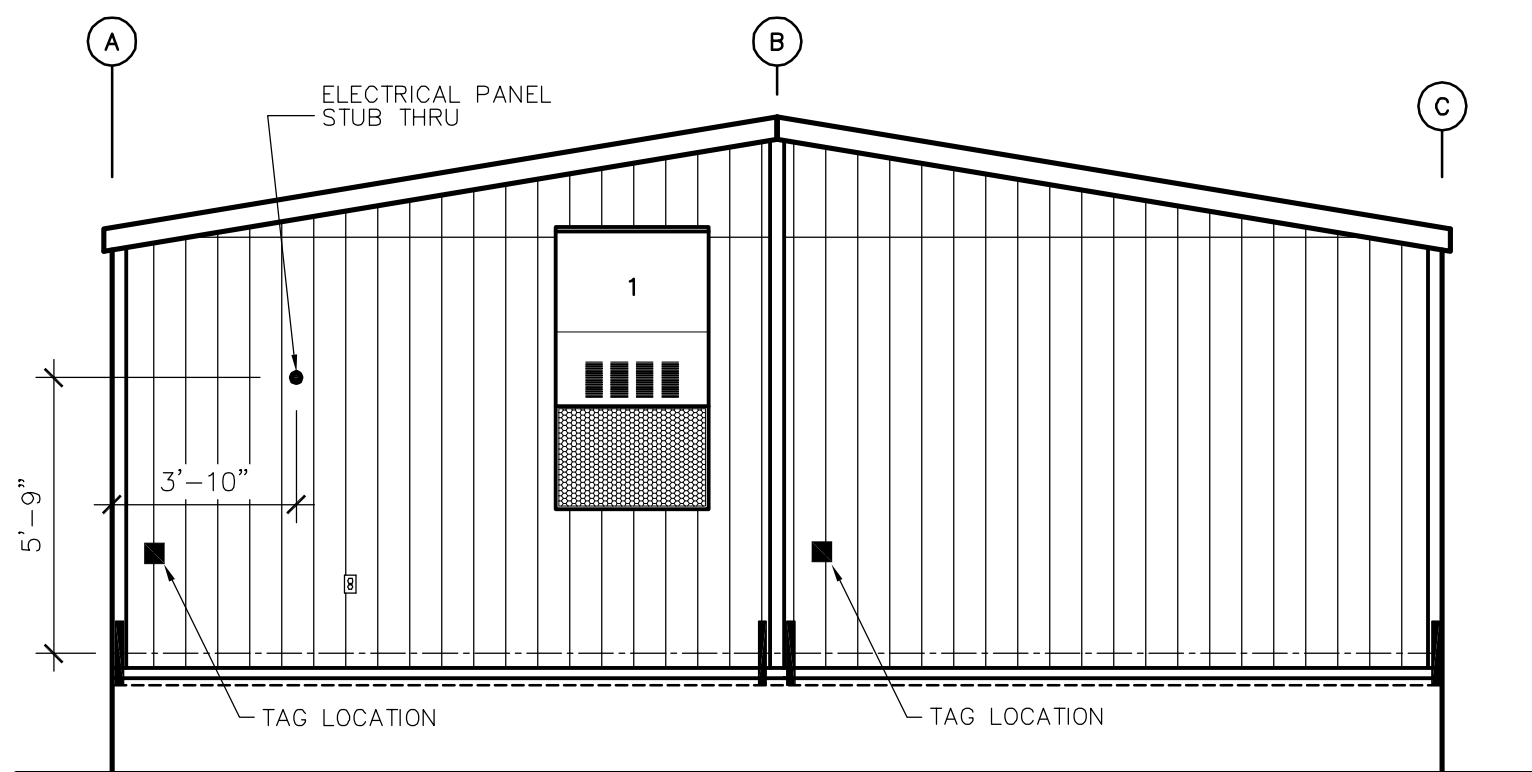
WALL "A" ELEVATION

SCALE: 1/4" = 1'-0"



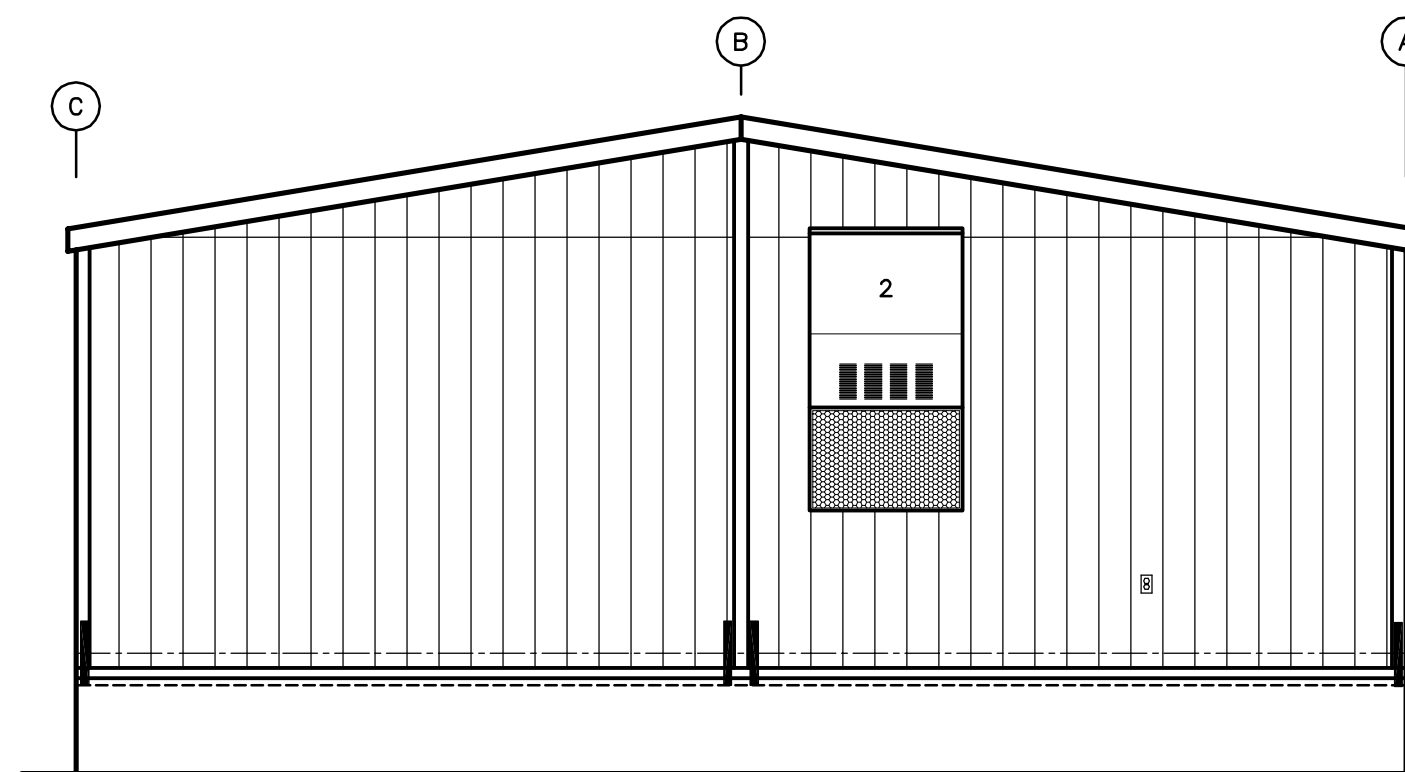
WALL "C" ELEVATION

SCALE: 1/4" = 1'-0"



WALL '1' ELEVATION

SCALE: 1/4" = 1'-0"



WALL '2' ELEVATION

SCALE: 1/4" = 1'-0"

PRELIMINARY
NOT FOR CONSTRUCTION

DATE	REVISION	BY

COPYRIGHT 2009, BLAZER INDUSTRIES, INC. THIS MATERIAL IS THE EXCLUSIVE PROPERTY OF BLAZER INDUSTRIES, INC. AND SHALL NOT BE REPRODUCED, USED, OR DISCLOSED TO OTHERS EXCEPT AS AUTHORIZED BY THE WRITTEN PERMISSION OF BLAZER INDUSTRIES.



MODULAR
28 x 64
WA GOLD

CLASSROOM for:
LEASE UNIT
EQUIPMENT SUPPLY LLC

Washington

Approved for Const:
File Copy:
Drawn By: NS
Start Date: 11-21-08

Job No: DB110
A-3