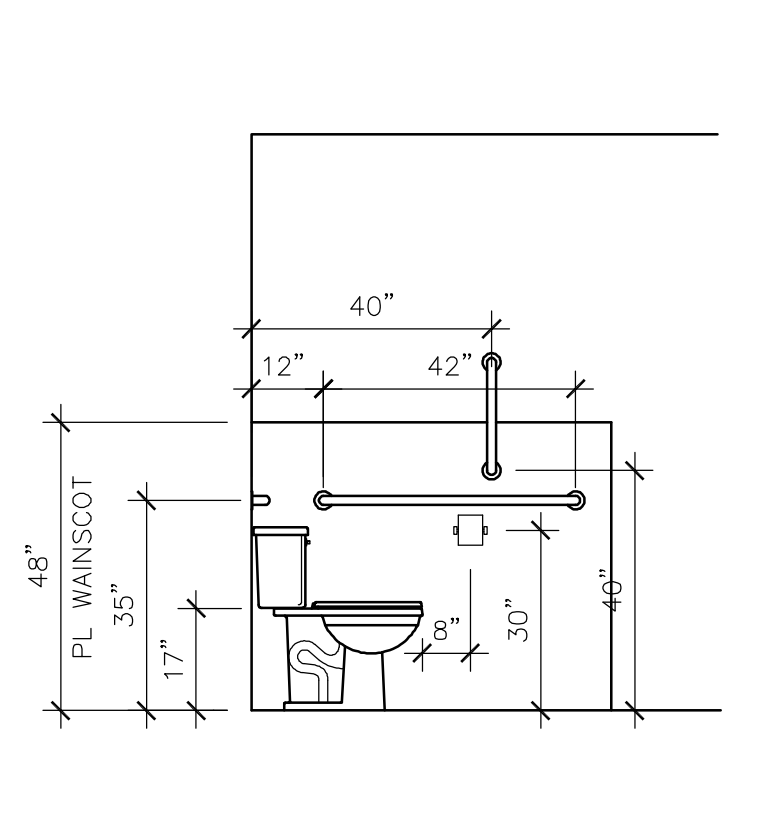
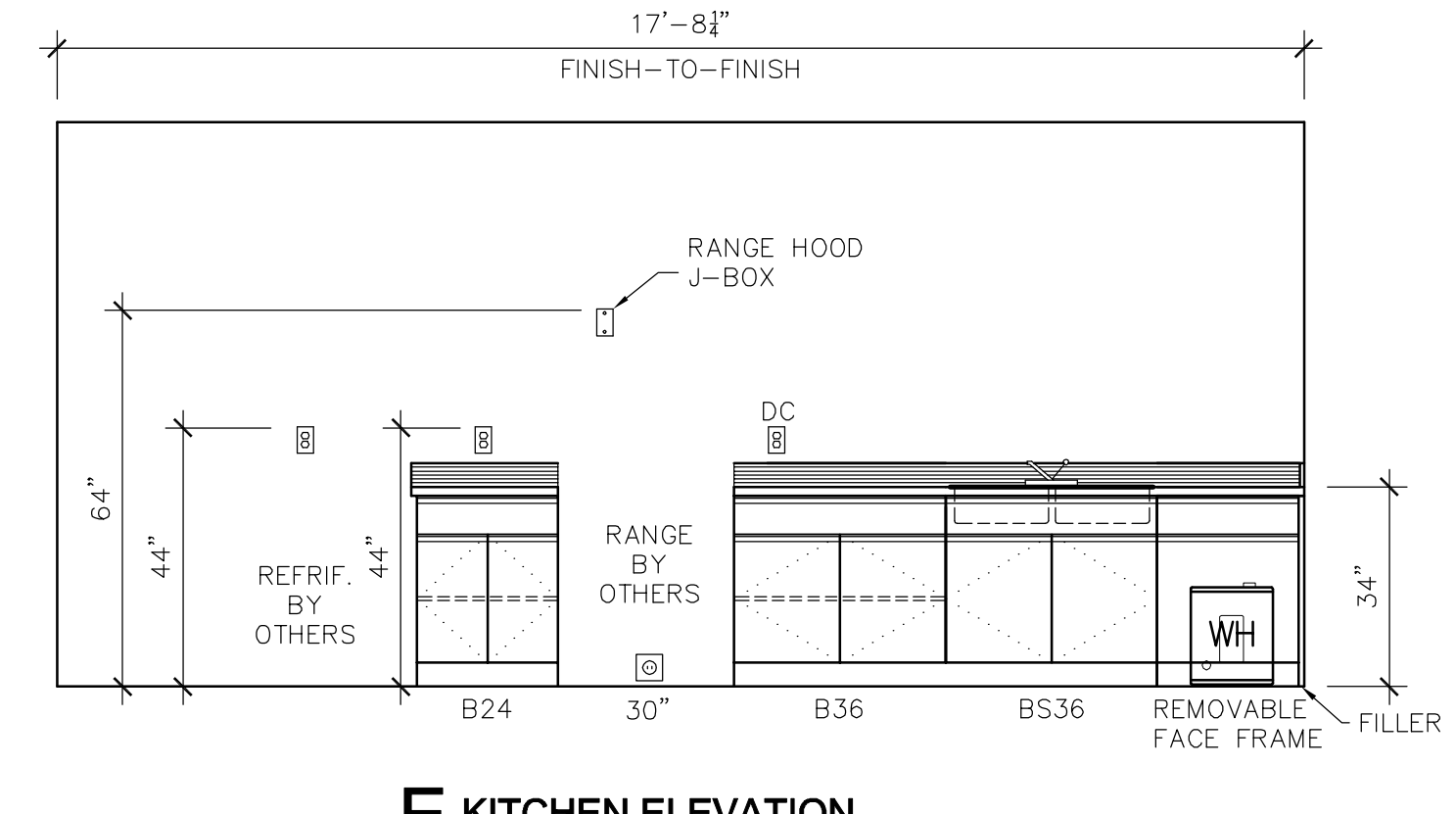


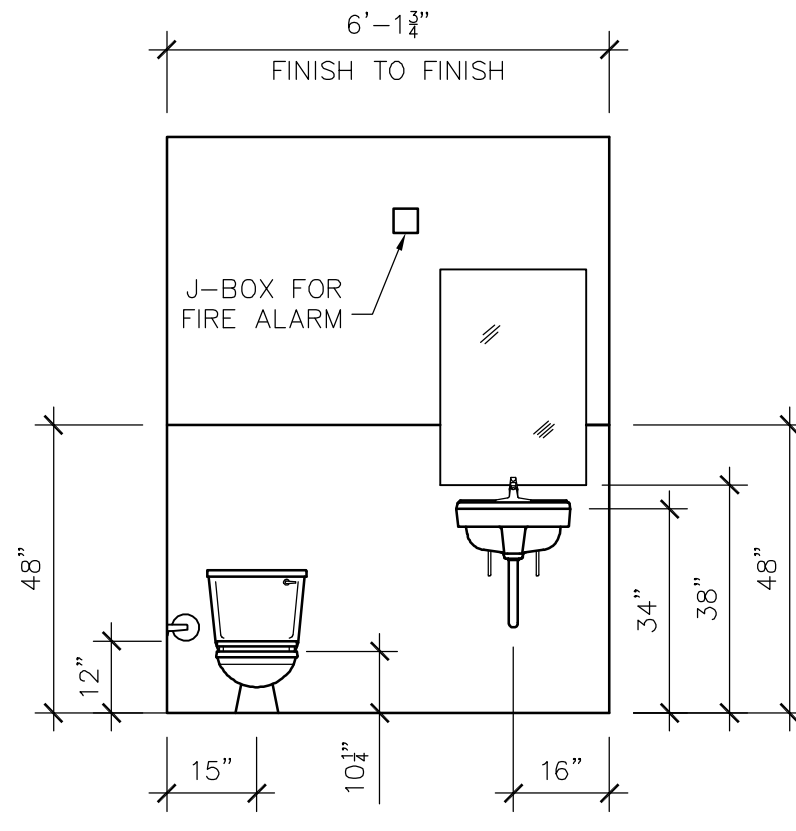
A RESTROOM ELEVATION
3/8" = 1'-0"



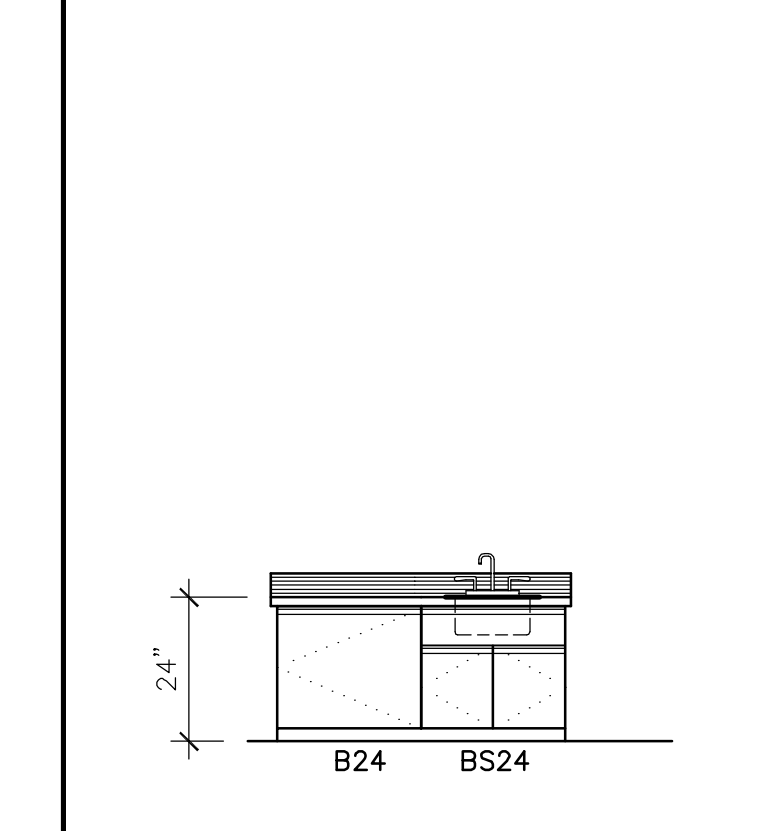
B RESTROOM ELEVATION
3/8" = 1'-0"



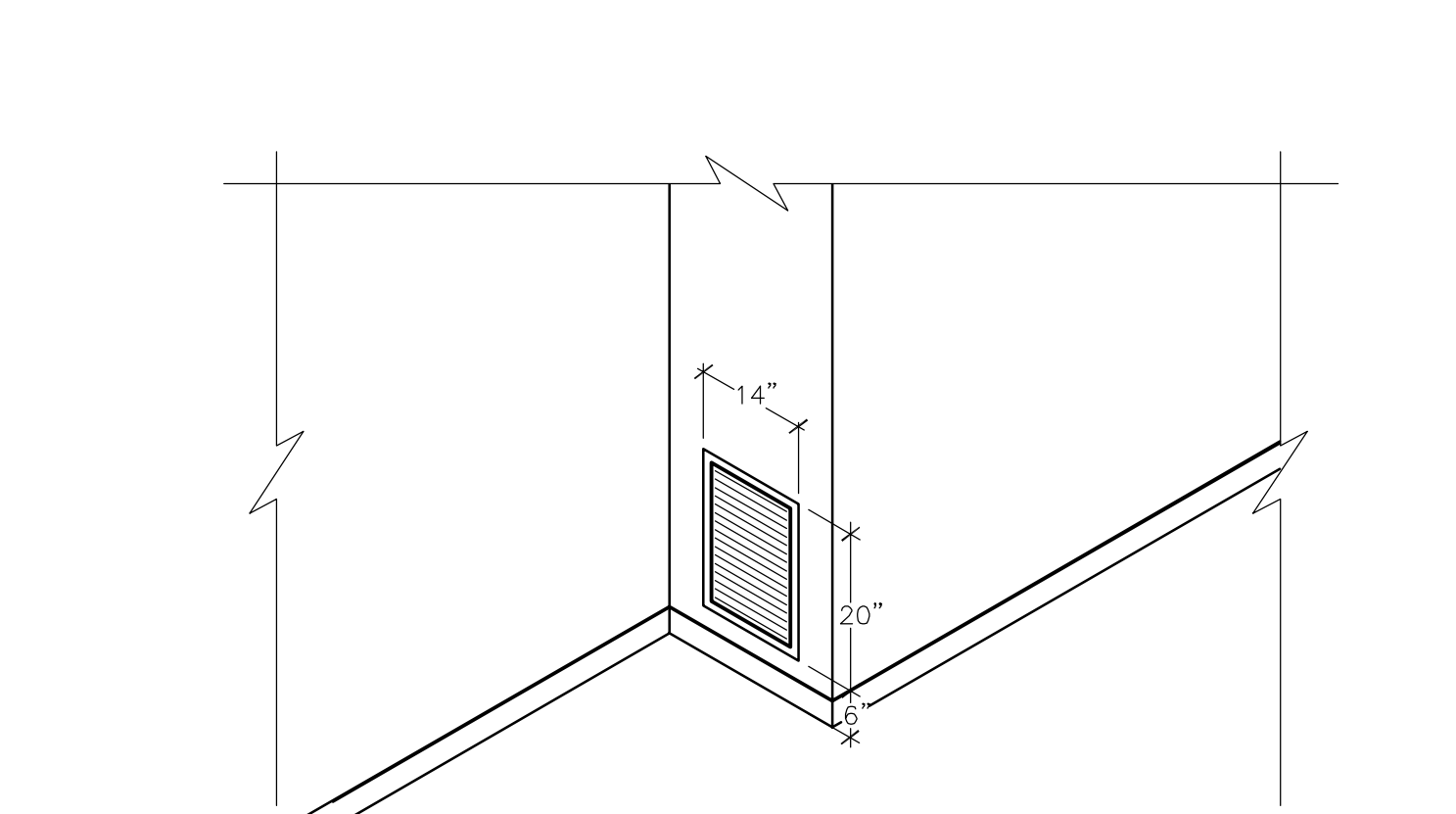
E KITCHEN ELEVATION
3/8" = 1'-0"
GENERIC LAYOUT - ACTUAL CABINETS BY LEMONS



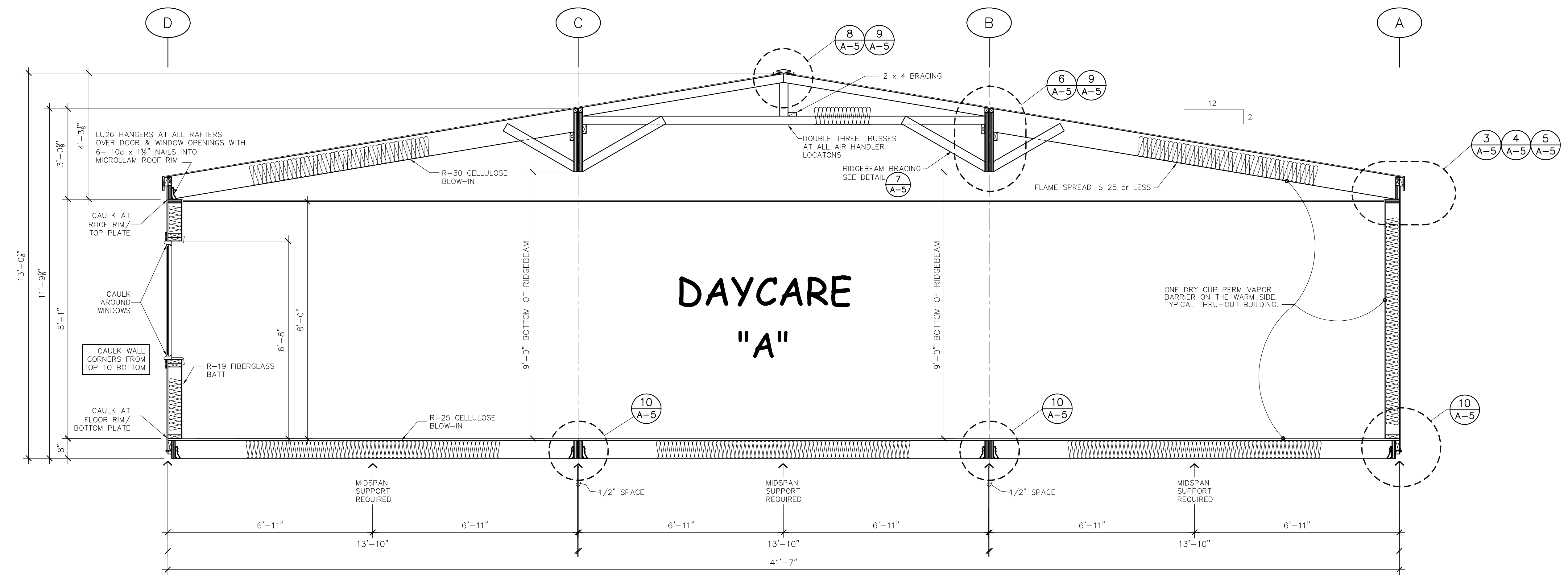
C RESTROOM ELEVATION
3/8" = 1'-0"



D CABINET ELEVATION
3/8" = 1'-0"



F HVAC R.A.G. ELEVATION
1/2" = 1'-0"



SECTION - A-A
1/2" = 1'-0"

PRELIMINARY
NOT FOR CONSTRUCTION

DATE	REVISION	BY	DATE	REVISION	BY	DATE	REVISION	BY

COPYRIGHT 2009, BLAZER INDUSTRIES, INC.
THIS MATERIAL IS THE EXCLUSIVE PROPERTY
OF BLAZER INDUSTRIES, INC. AND SHALL
NOT BE REPRODUCED, USED, OR DISCLOSED
TO OTHERS EXCEPT AS AUTHORIZED BY THE
WRITTEN PERMISSION OF BLAZER INDUSTRIES.

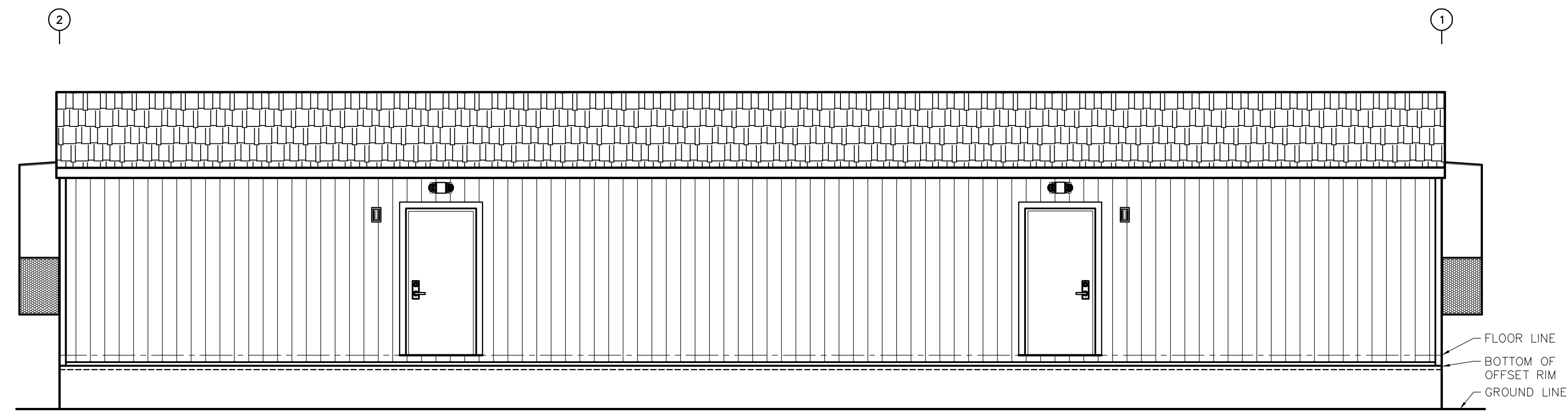


MODULAR
42' x 64'
WA GOLD

DAYCARE for:
LEASE UNIT
EQUIPMENT SUPPLY LLC

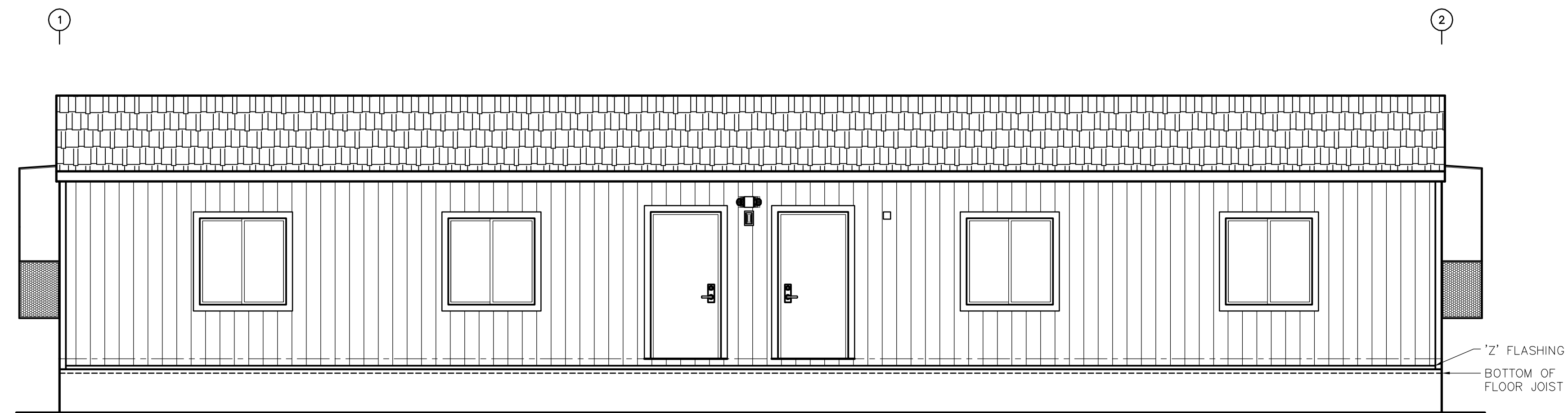
Approved for Const:	Job No: D8202
File Copy:	
Drawn By: NS	A-2
Start Date: 11-26-08	

Washington



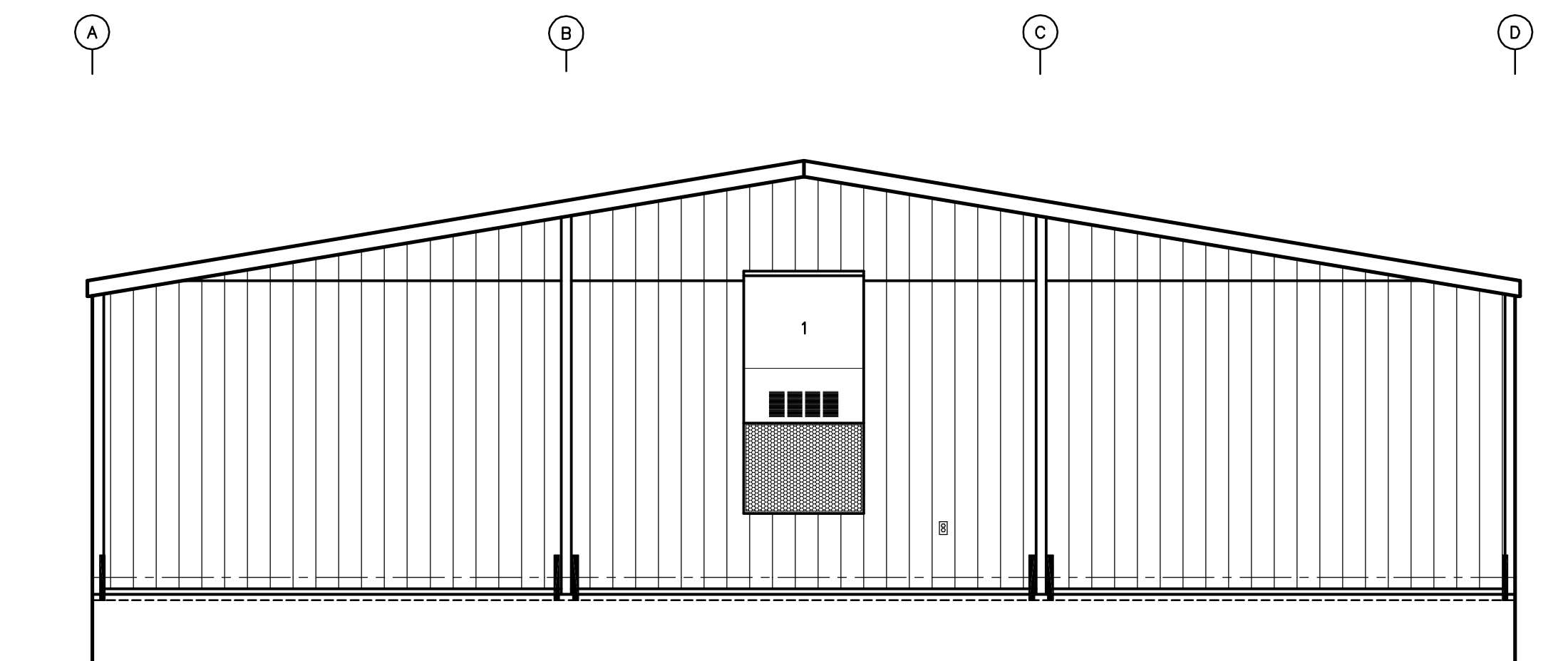
WALL "A" ELEVATION

1/4" = 1'-0"



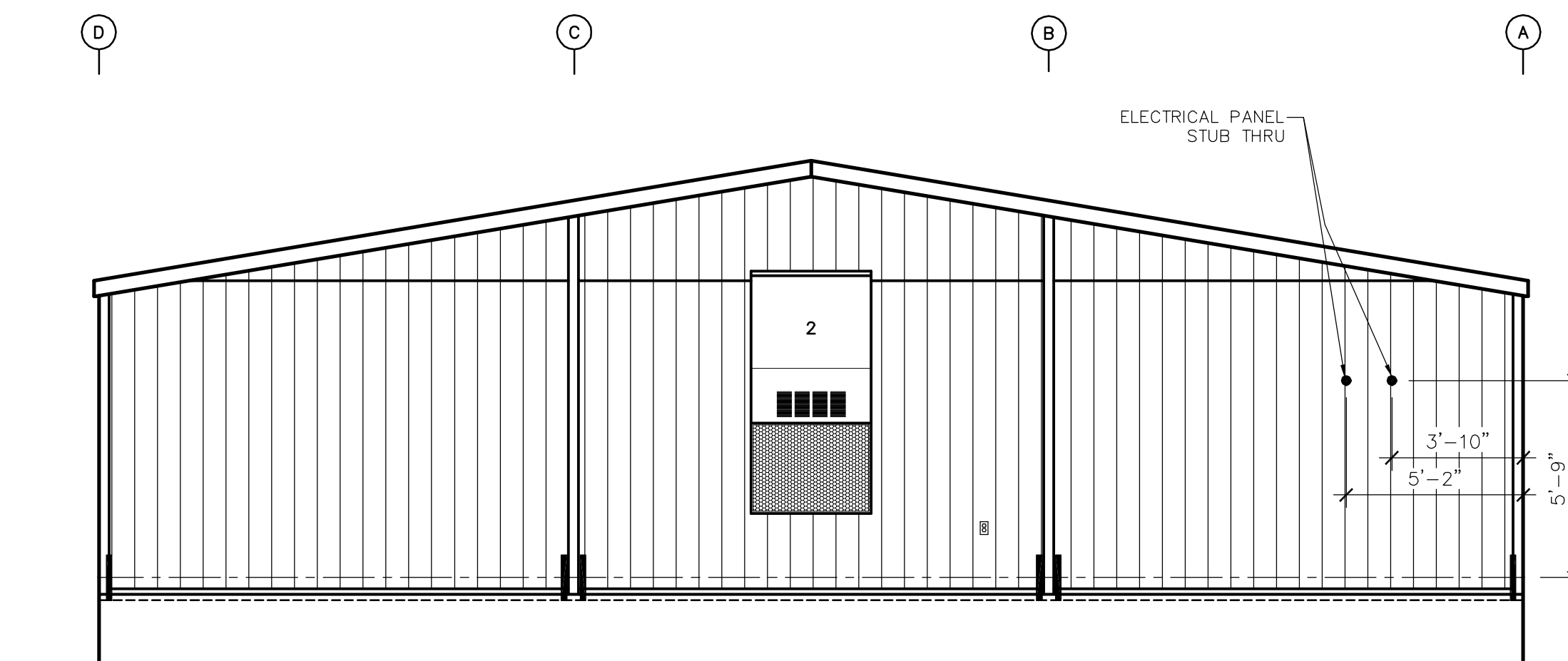
WALL "D" ELEVATION

1/4" = 1'-0"



WALL "1" ELEVATION

1/4" = 1'-0"



WALL "2" ELEVATION

1/4" = 1'-0"

PRELIMINARY
NOT FOR CONSTRUCTION

DATE	REVISION	BY	DATE	REVISION	BY	DATE	REVISION	BY

COPYRIGHT 2009, BLAZER INDUSTRIES, INC.
THIS MATERIAL IS THE EXCLUSIVE PROPERTY
OF BLAZER INDUSTRIES, INC. AND SHALL
NOT BE REPRODUCED, USED, OR DISCLOSED
TO OTHERS EXCEPT AS AUTHORIZED BY THE
WRITTEN PERMISSION OF BLAZER INDUSTRIES.



MODULAR
42' x 64'
WA GOLD

DAYCARE for:
LEASE UNIT
EQUIPMENT SUPPLY LLC

Approved for Const:
File Copy:
Drawn By: **NS**
Start Date: **11-26-08**

Job No: **D8202**
A-3